

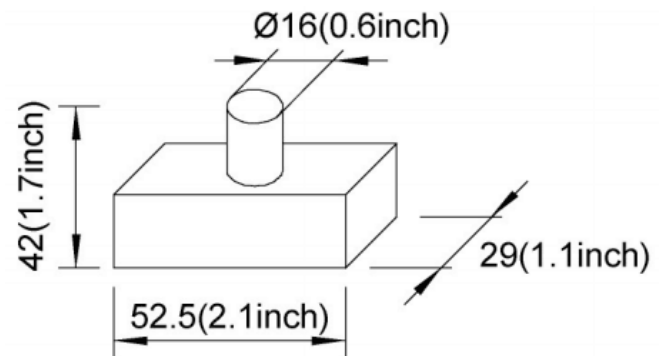
120V



PC-B is a dusk-to-dawn photocell light switch with input voltage of 120VAC. It conforms to UL standard 773A.

Applications:

- All outdoor lights



PC-B

Voltage	120V AC, 50/60Hz
Rated Load	Tungsten - 500W Ballast - 850VA
Power Consumption	1.2W Max.
On/Off Levels	10~20 Lx, On (Dusk) / 30~60 Lx, Off (Dawn)
Reaction Time	30 Seconds
Detection Angle	180°
Operating Temperature	-40°F ~ 158°F
Wire Length	7" AWG#18
IP Rating	IP54

